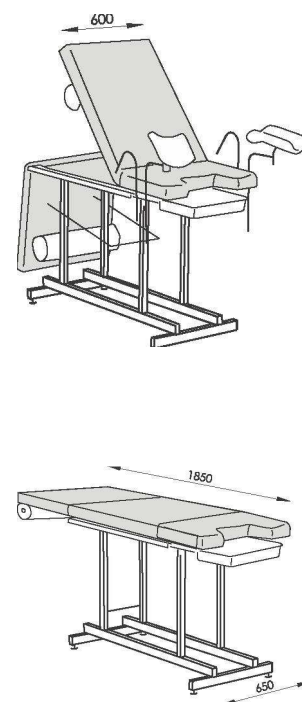


UNIVERSAL EGZAMINATION TABLE USB-01



DESCRIPTION:

Universal examination table USB-01 is designed for treatment and gynaecological examination of patients in surgeries. Three-section mattress base enables quick and easy obtaining the sitting and lying positions. Provided with additional accessories, the table increases a range of options. The wide variety of upholstery colours enables choosing the one that matches the room.

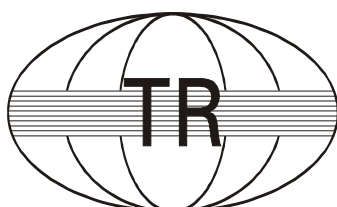
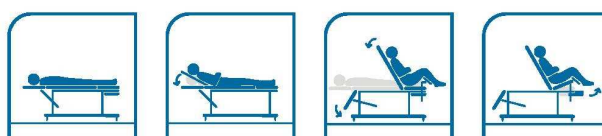
ADDITIONAL INFORMATION:

The product complies with the European Directive 93/42/EEC relating to the medical devices safety.

COLOURS:



POSITIONS:



TRANSACTOR Sp. z o.o.

00-215 Warszawa, ul. Sapieżyńska 10
tel/fax: 22 – 635 59 02, e-mail: export-import@zigzag.pl
www.transactor.pl